

CM-SERIES

HIGH FREQUENCY X-RAY GENERATOR

CM-Series generators offer advanced high quality radiographic capabilities with unmatched performance and reliability resulting in the lowest cost of ownership over the product lifetime. This generator is suitable for Digital Radiography (DR) systems and features leading edge computer-based digital controls to minimize patient dose and maximize image quality while demonstrating excellent reproducibility with user-friendly operator controls.

Key Highlights

High Frequency Performance in Excess of 400 kHz

Anatomical Programs Available in Several Languages

Membrane Console Pedestal and Exposure Handswitch are Included

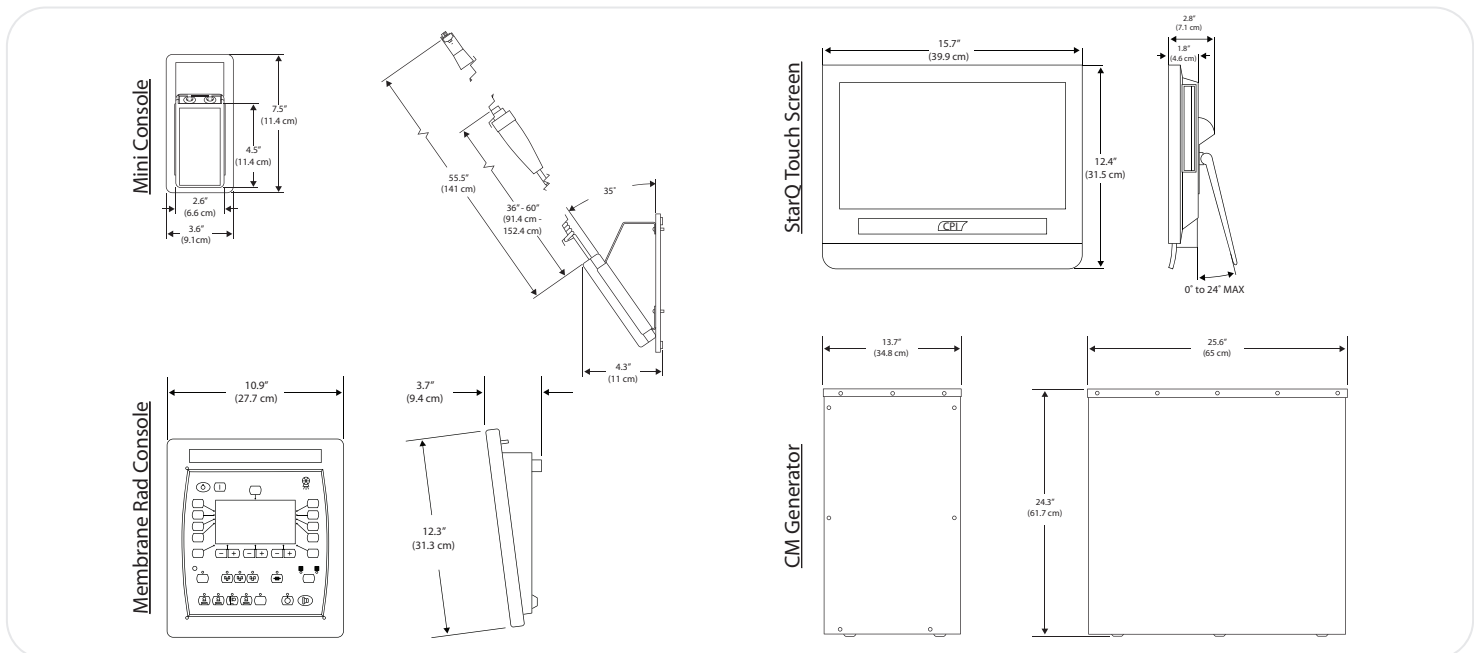
Select from Five Power Levels: 32, 40, 50, 65 & 80 kW



Technical Specifications

* All specifications subject to change without notice

	CM32 (32 kW)	CM40 (40 kW)	CM50 (50 kW)	CM65 (65 kW)	CM80 (80 kW)
Application	Radiographic	Radiographic	Radiographic	Radiographic	Radiographic
Generator Type	High Frequency Output up to 400 kHz	High Frequency Output up to 400 kHz	High Frequency Output up to 400 kHz	High Frequency Output up to 400 kHz	High Frequency Output up to 400 kHz
kV Range	40 - 125 kV	40 - 125 kV	40 - 150 kV	40 - 150 kV	40 - 150 kV
mA Range	10 - 400 mA	10 - 500 mA	10 - 630 mA	10 - 800 mA	10 - 1000 mA
mAs Range Non-AEC	0.1 - 500 mAs	0.1 - 500 mAs	0.1 - 630 mAs	0.1 - 800 mAs	0.1 - 1000 mAs
Rotor Supply	Low Speed	Low Speed (Optional High Speed)*	Low Speed (Optional High Speed)*	High Speed	High Speed
Line Nominal/Phase*	1 ø 208/230 VAC (125 kV) only 3 ø 208/230 VAC (125 kV) 150 kV Optional 3 ø 400/480 VAC (125 kV) 150 kV Optional	1 ø 208/230 VAC (125 kV) only 3 ø 208/230 VAC (125 kV) 150 kV Optional 3 ø 400/480 VAC (125 kV) 150 kV Optional*	3 ø 208/230 VAC (150 kV) only 3 ø 400/480 VAC (150 kV) only*	3 ø 208/230 VAC (External Transformer Required) 3 ø 400/480 VAC	3 ø 400/480 VAC
High Voltage Ripple	<1 kV @ 100 kV	<1 kV @ 100 kV	<1 kV @ 100 kV	<1 kV @ 100 kV	<1 kV @ 100 kV
# of X-Ray Tubes	1 Tube Capability	1 Tube Capability	1 Tube Capability	1 Tube Capability	1 Tube Capability
Auto-Tube Calibration	Yes	Yes	Yes	Yes	Yes
Timer Range (prgrm.)	*	*	*	*	*
Anatomical Programs (APR)	768 Possible Exam Techniques	768 Possible Exam Techniques	768 Possible Exam Techniques	768 Possible Exam Techniques	768 Possible Exam Techniques
APR Languages*	Yes	Yes	Yes	Yes	Yes
# of Image Receptors	2 Bucky + 1 Non-Bucky	2 Bucky + 1 Non-Bucky	2 Bucky + 1 Non-Bucky	2 Bucky + 1 Non-Bucky	2 Bucky + 1 Non-Bucky
Technique Selection	kV/AEC, kV/mAs, kV/mA/Time, kV/cm Thickness ¹	kV/AEC, kV/mAs, kV/mA/Time, kV/cm Thickness ¹	kV/AEC, kV/mAs, kV/mA/Time, kV/cm Thickness ¹	kV/AEC, kV/mAs, kV/mA/Time, kV/cm Thickness ¹	kV/AEC, kV/mAs, kV/mA/Time, kV/cm Thickness ¹
GenWare Service Software	Yes	Yes	Yes	Yes	Yes
Documentation	CD manual hard copy optional	CD manual hard copy optional	CD manual hard copy optional	CD manual hard copy optional	CD manual hard copy optional
Tomography Function	Yes	Yes	Yes	Yes	Yes
Auxiliary Collimator Power	Yes	Yes	Yes	Yes	Yes
Exposure Hand Switch	Yes	Yes	Yes	Yes	Yes
Options:					
AEC Interface	Ionization or Solid State*	Ionization or Solid State*	Ionization or Solid State*	Ionization or Solid State*	Ionization or Solid State*
Membrane Console Wall Mount	Yes	Yes	Yes	Yes	Yes
Dose Area Product (DAP) I/F*	Yes	Yes	Yes	Yes	Yes
Membrane Console Pedestal	Yes	Yes	Yes	Yes	Yes
Touchscreen Console	Yes	Yes	Yes	Yes	Yes
DR Integration	Yes	Yes	Yes	Included	Included



www.delmedical.com

New York
28 Calvert Street
Harrison, NY 10528
(Tel) 800.261.9808
(Fax) 914.835.6111

Illinois
241 Covington Drive
Bloomingdale, IL 60108
(Tel) 800.800.6006
(Fax) 847.288.7011

DEL MEDICAL

#9000-CM 04.19